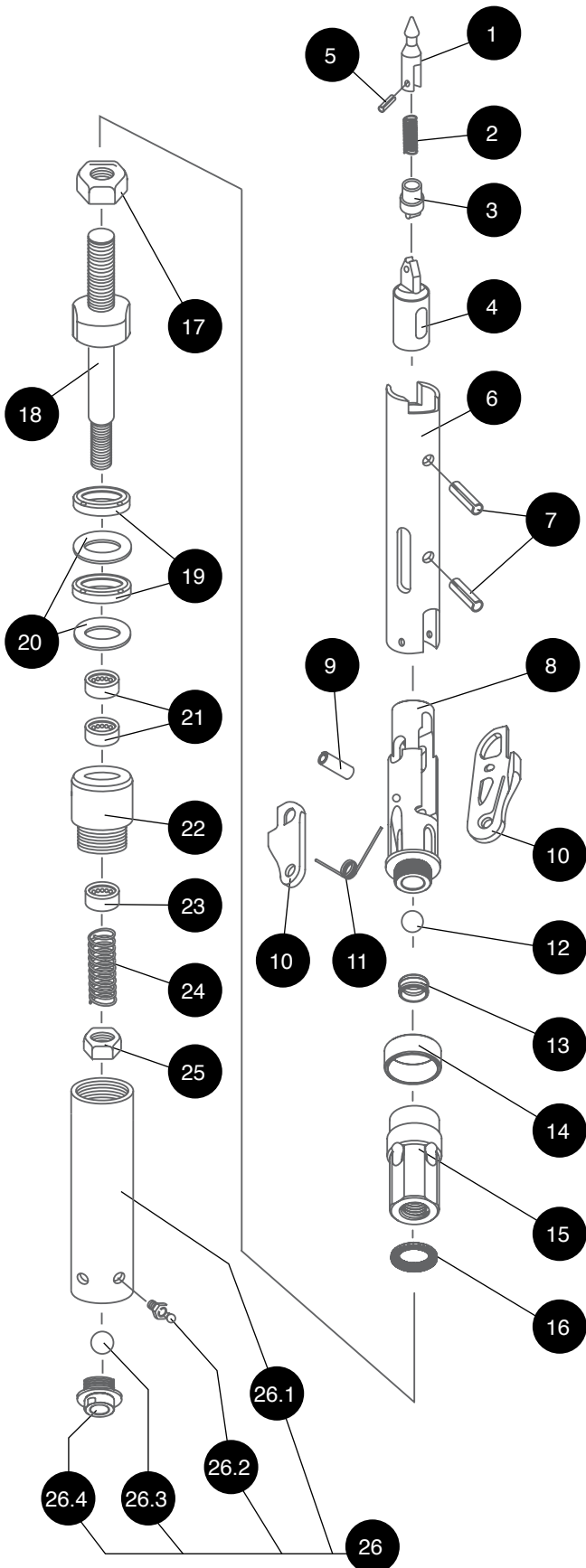


COMPLETE CORE BARREL ASSEMBLY

| ITEM | DESCRIPTION | BQ PART # | NQ PART # | HQ PART # | PQ PART # |
|------|---------------------------|------------|------------|------------|------------|
| 1-10 | Core Barrel Assembly 5FT | 300-0-8020 | 300-0-8004 | 300-0-8001 | 300-0-8023 |
| 1-10 | Core Barrel Assembly 10FT | | 300-0-8005 | 300-0-8002 | 300-0-8024 |

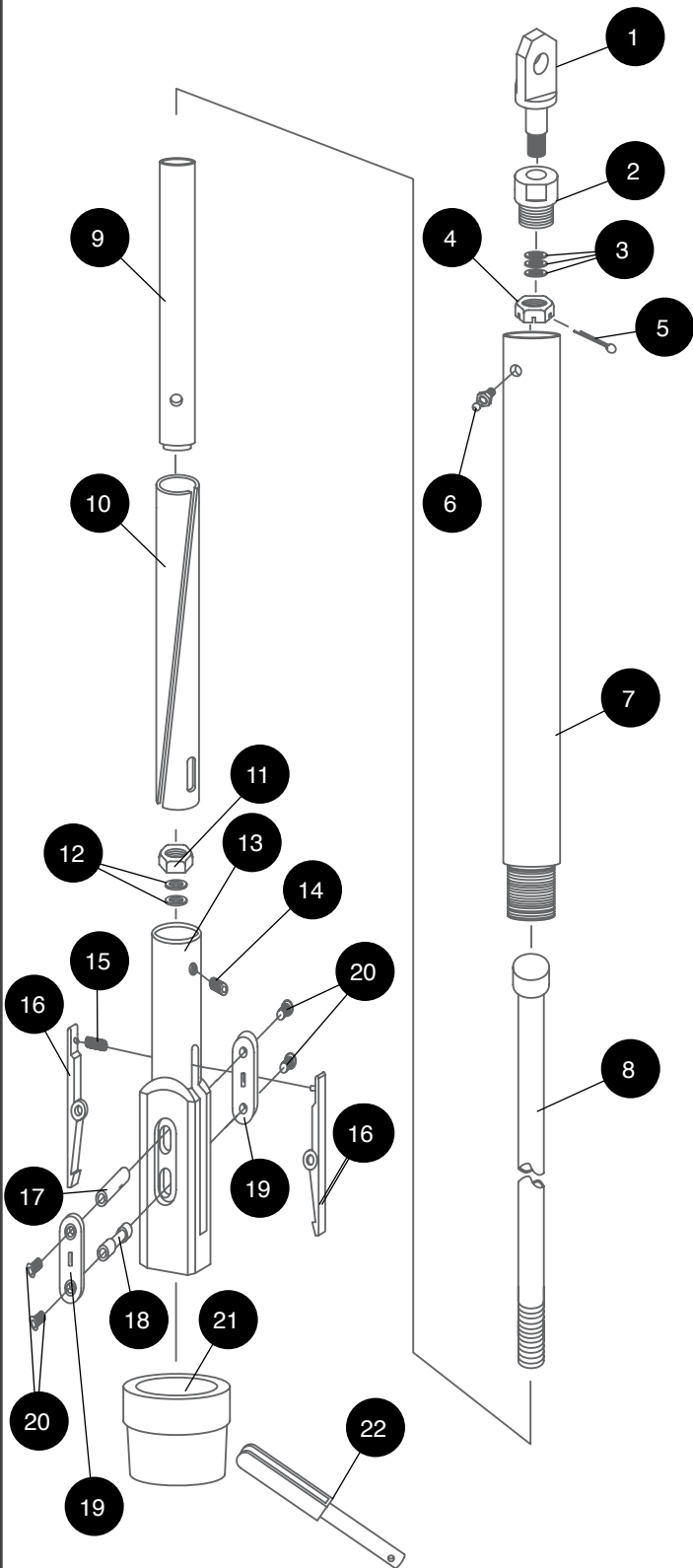
CORE BARREL PARTS

| ITEM | DESCRIPTION | BQ PART # | NQ PART # | HQ PART # | PQ PART # |
|------|----------------------------------|----------------|----------------|----------------|----------------|
| 1 | Head Assembly | 300-0-8020-01 | 300-0-8004-01 | 300-0-8001-02 | 300-0-8023-02 |
| 2 | Inner Tube 5FT | 300-0-8020-02 | 300-0-8004-02 | 300-0-8001-03 | 300-0-8023-03 |
| | Inner Tube 10FT | | 300-0-8004-02 | 300-0-8001-03 | 300-0-8023-03 |
| 3 | Stop Ring | 300-0-8020-03 | 300-0-8004-03 | 300-0-8001-04 | 300-0-8023-04 |
| 4 | Core Lifter, Fluted | 300-0-8020-04 | 300-0-8004-04 | 300-0-8001-05 | 300-0-8023-05 |
| 5 | Core Lifter Case | 300-0-8020-05 | 300-0-8004-05 | 300-0-8001-06 | 300-0-8023-06 |
| 6 | Locking Coupling, Full Hole | 300-0-8020-06 | 300-0-8004-06 | 300-0-8001-07 | 300-0-8023-07 |
| 7 | Adapter Coupling | 300-0-8020-07 | 300-0-8004-07 | 300-0-8001-08 | 300-0-8023-08 |
| 8 | Landing Ring | 300-0-8020-08 | 300-0-8004-08 | 300-0-8001-09 | 300-0-8023-09 |
| 9 | Outer Tube 5FT | 300-0-8020-09 | 300-0-8004-09 | 300-0-8001-10 | 300-0-8023-10 |
| | Outer Tube 10FT | | 300-0-8004-09 | 300-0-8001-10 | 300-0-8023-10 |
| 10 | Brass Inner Tube Stabilizer Ring | 300-0-8020-10 | 300-0-8004-10 | 300-0-8001-11 | 300-0-8023-11 |
| 11 | Reaming Shell (Not included) | 300-0-4001 | 300-0-4002 | 300-0-4003 | 300-0-4004 |
| 12 | Core Bit (Not included) | 300-0-2001-XXX | 300-0-2002-XXX | 300-0-2003-XXX | 300-0-2004-XXX |



HEAD ASSEMBLY PARTS

| ITEM | DESCRIPTION | BQ PART # | NQ PART # | HQ PART # | PQ PART # |
|------|----------------------------------|-------------------|-------------------|-------------------|-------------------|
| 1-26 | Head Assembly | 300-0-8020-01 | 300-0-8004-01 | 300-0-8001-02 | 300-0-8023-02 |
| 1 | Spearhead Point | 300-0-8020-01-01 | 300-0-8004-01-01 | 300-0-8001-02-01 | 300-0-8023-02-01 |
| 2 | Detent Compression Spring | 300-0-8020-01-02 | 300-0-8004-01-02 | 300-0-8001-02-02 | 300-0-8023-02-02 |
| 3 | Detent Plunger | 300-0-8020-01-03 | 300-0-8004-01-03 | 300-0-8001-02-03 | 300-0-8023-02-03 |
| 4 | Spearhead Base | 300-0-8020-01-04 | 300-0-8004-01-04 | 300-0-8001-02-04 | 300-0-8023-02-04 |
| 5 | Spiral Pin, 7/16" x 1" | 300-0-8020-01-05 | 300-0-8004-01-05 | 300-0-8001-02-05 | 300-0-8023-02-05 |
| 6 | Latch Retracting Case | 300-0-8020-01-06 | 300-0-8004-01-06 | 300-0-8001-02-06 | 300-0-8023-02-06 |
| 7 | Spring Pin, 1/2" x 3/4" (QTY. 2) | 300-0-8020-01-07 | 300-0-8004-01-07 | 300-0-8001-02-07 | 300-0-8023-02-07 |
| 8 | Upper Latch Body | 300-0-8020-01-08 | 300-0-8004-01-08 | 300-0-8001-02-08 | 300-0-8023-02-08 |
| 9 | Coiled Spring Pin, 1/2" x 2" | 300-0-8020-01-09 | 300-0-8004-01-09 | 300-0-8001-02-09 | 300-0-8023-02-09 |
| 10 | V-Latch (QTY. 2) | 300-0-8020-01-10 | 300-0-8004-01-10 | 300-0-8001-02-10 | 300-0-8023-02-10 |
| 11 | Latch Spring | 300-0-8020-01-11 | 300-0-8004-01-11 | 300-0-8001-02-11 | 300-0-8023-02-11 |
| 12 | Stainless Steel Ball, 22mm | 300-0-8020-01-12 | 300-0-8004-01-12 | 300-0-8001-02-12 | 300-0-8023-02-12 |
| 13 | Landing Indicator Bushing | 300-0-8020-01-13 | 300-0-8004-01-13 | 300-0-8001-02-13 | 300-0-8023-02-13 |
| 14 | Landing Shoulder | 300-0-8020-01-14 | 300-0-8004-01-14 | 300-0-8001-02-14 | 300-0-8023-02-14 |
| 15 | Lower Latch Body | 300-0-8020-01-15 | 300-0-8004-01-15 | 300-0-8001-02-15 | 300-0-8023-02-15 |
| 16 | Lock Washer | 300-0-8020-01-16 | 300-0-8004-01-16 | 300-0-8001-02-16 | 300-0-8023-02-16 |
| 17 | Hex Nut | 300-0-8020-01-17 | 300-0-8004-01-17 | 300-0-8001-02-17 | 300-0-8023-02-17 |
| 18 | Spindle | 300-0-8020-01-18 | 300-0-8004-01-18 | 300-0-8001-02-18 | 300-0-8023-02-18 |
| 19 | Shut-Off Valve, Hard (QTY. 2) | 300-0-8020-01-19 | 300-0-8004-01-19 | 300-0-8001-02-19 | 300-0-8023-02-19 |
| 20 | Shut-Off Washer (QTY. 2) | 300-0-8020-01-20 | 300-0-8004-01-20 | 300-0-8001-02-20 | 300-0-8023-02-20 |
| 21 | Thrust Bearing | 300-0-8020-01-21 | 300-0-8004-01-21 | 300-0-8001-02-21 | 300-0-8023-02-21 |
| 22 | Spindle Bushing | 300-0-8020-01-22 | 300-0-8004-01-22 | 300-0-8001-02-22 | 300-0-8023-02-22 |
| 23 | Hanger Bearing | 300-0-8020-01-23 | 300-0-8004-01-23 | 300-0-8001-02-23 | 300-0-8023-02-23 |
| 24 | Inner Tube Compression Spring | 300-0-8020-01-24 | 300-0-8004-01-24 | 300-0-8001-02-24 | 300-0-8023-02-24 |
| 25 | Self Locking Nut | 300-0-8020-01-25 | 300-0-8004-01-25 | 300-0-8001-02-25 | 300-0-8023-02-25 |
| 26 | Inner Tube Cap Assembly | 300-0-8020-01-26 | 300-0-8004-01-26 | 300-0-8001-02-26 | 300-0-8023-02-26 |
| 26.1 | Inner Tube Cap | 300-0-8020-01-261 | 300-0-8004-01-261 | 300-0-8001-02-261 | 300-0-8023-02-261 |
| 26.2 | Hydraulic Grease Fitting | 300-0-8020-01-262 | 300-0-8004-01-262 | 300-0-8001-02-262 | 300-0-8023-02-262 |
| 26.3 | Stainless Steel Ball | 300-0-8020-01-263 | 300-0-8004-01-263 | 300-0-8001-02-263 | 300-0-8023-02-263 |
| 26.4 | Check Valve Body | 300-0-8020-01-264 | 300-0-8004-01-264 | 300-0-8001-02-264 | 300-0-8023-02-264 |



COMPLETE OVERSHOT ASSEMBLY

| ITEM | DESCRIPTION | BQ PART # | NQ PART # | HQ PART # | PQ PART # |
|------|-----------------------|------------|------------|------------|------------|
| 1-21 | Overshot Assembly | 300-0-8027 | 300-0-8007 | 300-0-8006 | 300-0-8025 |
| 1-5 | Cable Swivel Assembly | | | | |

V-LOCK OVERSHOT

| ITEM | DESCRIPTION | BQ PART # | NQ PART # | HQ PART # | PQ PART # |
|------|--------------------------------|----------------|----------------|-----------|-----------|
| 1 | Eye Bolt | 300-0-8027-01 | 300-0-8007 -01 | | |
| 2 | Cable Swivel Collar | 300-0-8027-02 | 300-0-8007 -02 | | |
| 3 | Thrust Bearing | 300-0-8027-03 | 300-0-8007 -03 | | |
| 4 | Castle Nut | 300-0-8027-04 | 300-0-8007 -04 | | |
| 5 | Cotter Pin, 3/32" x 3/4" | 300-0-8027--05 | 300-0-8007 -05 | | |
| 6 | Hydraulic Grease Fitting | 300-0-8027-06 | 300-0-8007 -06 | | |
| 7 | Overshot Body | 300-0-8027-07 | 300-0-8007 -07 | | |
| 8 | Jar Staff | 300-0-8027-08 | 300-0-8007 -08 | | |
| 9 | Jar Tube Weldment | 300-0-8027-09 | 300-0-8007 -09 | | |
| 10 | Locking Sleeve | 300-0-8027-10 | 300-0-8007 -10 | | |
| 11 | Adjusting Hex Nut | 300-0-8027-11 | 300-0-8007 -11 | | |
| 12 | Lock Washer | 300-0-8027-12 | 300-0-8007 -12 | | |
| 13 | Overshot Head | 300-0-8027-13 | 300-0-8007 -13 | | |
| 14 | Set Screw | 300-0-8027-14 | 300-0-8007 -14 | | |
| 15 | Lifting Dog Compression Spring | 300-0-8027-15 | 300-0-8007 -15 | | |
| 16 | Lifting Dog | 300-0-8027-16 | 300-0-8007 -16 | | |
| 17 | Pivot Pin | 300-0-8027-17 | 300-0-8007 -17 | | |
| 18 | Special Pin, 3/16" x 1-3/8" | 300-0-8027-18 | 300-0-8007 -18 | | |
| 19 | Pin Links | 300-0-8027-19 | 300-0-8007 -19 | | |
| 20 | Cap Screw | 300-0-8027-20 | 300-0-8007 -20 | | |
| 21 | Loading Funnel | 300-0-8027-21 | 300-0-8007 -21 | | |
| 22 | Loading Fork Tool | 300-0-8027-22 | 300-0-8007 -22 | | |